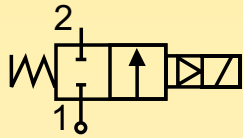


Solenoid valves for steam and high temperatures

2/2 way - Normally Closed - Diaphragm pilot operated

Fittings: G = 3/8" - 1"

Series **156.2**

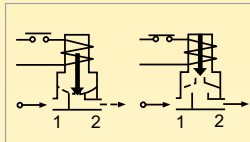


N.C.

Normally closed

Coil energised - open

Coil de-energised - closed



General description:

PARKER series 156.2 solenoid valves are diaphragm pilot operated and require a minimum differential pressure to operate. They are used for general applications with media such as **steam and superheated water**.

Series 156.2 valves are **normally closed**.

Temperatures:

The working temperature for media is:
 maximum **+160°C**
 minimum **-30°C**

The maximum ambient temperature is:
 with class coils "F" **+50°C**
 with class coils "H" **+80°C**

Application:

Series 156.2 solenoid valves are ideal for automatic control of steam and superheated water in a wide range of applications such as:

- Sterilisers;
- Ironing machines;
- Hospital equipment;
- Tanning plants;
- Tobacco plants.

Coils:

For series 156.2 valves class "F" coils (**155°C**) are available encapsulated in thermoplastic containing 30% glass fiber (types: ZB, YB) and class "H" coils (**180°C**) are available encapsulated in thermoplastic containing 40% glass fiber (type ZH).

All the coils are for continuous service, 100% E.D.

The rated voltage tolerance is:

±10% for A.C. power supply
 The "Z" and "Y" coils can be used on a.c. with a frequency of 50/60 Hz (dual frequency).

The "Z" coils have Faston terminals for **DIN 43650A** connectors with protection to **IP65**. The "Y" coil has terminals with 2 x 1,000 mm cables with protection to **IP67**.

Installation:

The valves can be mounted in any position without jeopardising their operation. It is however advisable to install them with the coil in a vertical position above the body.

Approvals:

- For the coils:
ZB 09 115V/50-60Hz, 220-230V/50-60Hz, 240V/50-60Hz
ZH 09 24V/50-60Hz
YB 09 220-230V/50-60Hz

- For the coils:
ZB 09 220-230V/50-60Hz, 240V/50-60Hz
YB 09 220-230V/50-60Hz

- UL Recognized Comp. coils mark:
ZB 09 24V/60Hz, 110-120V/60Hz, 208-240V/60Hz
YB 09 24V/60Hz, 110-120V/60Hz, 208-240V/60Hz

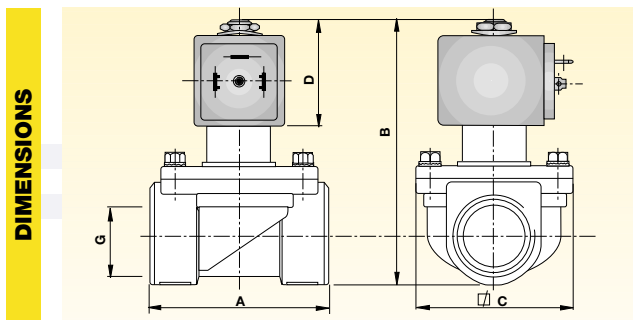
Series **156.2**

MATERIALS	• Valve body:	CW617N UNI EN 12165:98 brass stamping
	• Seals:	Pilot of Ruby - diagram of PTFE (Teflon)
	• Enclosing tube:	AISI 304 stainless steel
	• Plunger:	AISI 430F stainless steel
	• Spring:	AISI 302 stainless steel
	• Shading ring:	Copper

ELECTRICAL FEATURES	Coil type []		Power [W]		Insulat. class
	A.C.(~)	D.C.(=)	A.C.(~)	D.C.(=)	
	ZB 09	-	9	-	F
	YB 09	-	9	-	F
	ZH 09	-	9	-	H
	ZH 14	-	14	-	H

SPECIFICATION	Fittings Ø G	Valve type	Nominal orifice Ø	Flow coefficient Kv	Minimum pressure	Max differential pressure (M.O.P.D.)		Coil type	Weight	Notes
	["]	[]	[mm]	[m³/h]	[bar]	in A.C.(~) [bar]	in D.C.(=) [bar]	[]	[Kg]	[]
	3/8	156.2 I	10	1,32	0,5	16	-	Z - Y	0,580	1 - 2
	1/2	156.2 A	10	1,44	0,5	16	-	Z - Y	0,580	1 - 2
	3/4	156.2 C	18	2,22	0,5	14	-	Z - Y	1,080	1 - 2
	1	156.2 D	18	2,52	0,5	14	-	Z - Y	1,080	1 - 2

Note: 1) NP (nominal pressure): 25 bar. 2) Maximum pressure for steam: 6.5 bar (160 °C).



Fittings Ø G	A	B	C	D
["]	[mm]	[mm]	[mm]	[mm]
3/8	48	85,0	40	37,5
1/2	48	85,0	40	37,5
3/4	48	85,0	40	37,5
1	60	93,5	51	37,5

ORDER CODE	PM	156.2		R	[V] [Hz]/d.c.						
	VALVE BODY	FITTINGS		SEAL	Coil type	24 V 50/60 Hz	115V 50/60 Hz	220-230 V 50/60 Hz	240 V 50/60 Hz	12 V d.c.	24 V d.c.
		I 3/8"	A 1/2"	C 3/4"	D 1"	ZB 09	●	●	●	●	
						YB 09	●	●	●		
						ZH 09	●				
						ZH 14	●	●	●		
SERIES			R Ruby		Coil type	24 V / 60 Hz	110-120 V / 60 Hz	208-240 V / 60 Hz			
					ZB 09 UL	●	●	●			
					YB 09 UL	●	●	●			

Note: Valve supplied with body part (PM) and coil separate. Connectors to be ordered separately.