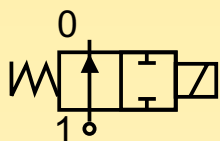


Solenoid Valves for Automation

2/2 way - Normally open - Direct operated

Fittings: G = 1/4"

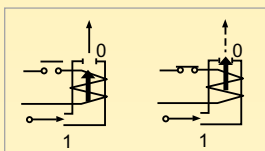
Series **151**



N.O.

Normally open

Coil energised - closed
Coil de-energised - open



General description:

PARKER series 151 solenoid valves have direct action and do not require a minimum differential pressure to operate. They are used for general applications with media such as **water, air, light oils (2° E) and inert gases**, provided they are compatible with the construction materials used. Series 151 valves are **normally open** with connections at 90° on valve body (inlet) and enclosing tube (outlet).

Temperatures:

The working temperature for media is:

maximum	+140°C
minimum	-10°C

The maximum ambient temperature is:

- with class "F" coils +50°C
- with class "H" coils +80°C

Application:

Series 151 solenoid valves are ideal for the automatic control of media in the following applications:

- Air compressors;
- Pneumatic systems;
- Textile machines;
- Water treatment plants;
- Diesel oil burners.

For air applications the maximum differential pressure (MOPD) may be increased by 25%.

Coils:

For series 151 valves class "F" coils (**155°C**), encapsulated in thermoplastic containing 30% glass fiber (types: ZB, YB), and class "H" coils (**180°C**), encapsulated in thermoplastic containing 40% glass fiber (type: ZH), are available.

All the coils are for continuous service, 100% E.D.

The rated voltage tolerance is:
±10% for A.C. power supply and
+10% -5% for D.C.

The "Z" and "Y" coils can be used on a.c. with frequency of 50/60Hz (dualfrequency). The "Z" coils have Faston terminals for **DIN 43650A** connectors with protection to **IP65**.

The "Y" coil has terminals with 2 x 1,000 mm cables with protection to **IP67**.

Installation:

The valves can be mounted in any position without jeopardising their operation. It is however advisable to install them with the coil in a vertical position above the body.

Approvals:

- For the coils:
ZB 09 115V/50-60Hz, 220-230V/50-60Hz
ZH 09 24V/50-60Hz
ZH 12 12V DC, 24V DC
YB 09 220-230V/50-60Hz

- For the coils:
ZB 09 220-230V/50-60Hz, 240V/50-60Hz
YB 09 220-230V/50-60Hz

- UL Recognized Comp. coils mark:
ZB 09 24V/60Hz, 110-120V/60Hz, 208-240V/60Hz
YB 09 24V/60Hz, 110-120V/60Hz, 208-240V/60Hz



Series **151**

MATERIALS

- Valve body: CW617N UNI EN 12165:98 brass stamping
- Seals: Viton
- Enclosing tube: AISI 304 stainless steel
- Plunger: AISI 430F stainless steel
- Spring: AISI 302 stainless steel
- Shading ring: Copper

ELECTRICAL FEATURES

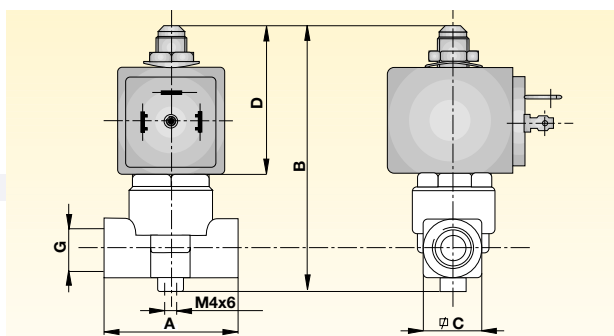
Coil type []		Power [W]		Insulat. class
A.C.(~)	D.C.(=)	A.C.(~)	D.C.(=)	
ZB 09	ZB 12	9	12	F
YB 09	YB 12	9	12	F
ZH 09	ZH 12	9	12	H
ZH 14	ZH 16	14	16	H

SPECIFICATION

Fittings Ø G	Valve type	Nominal orifice Ø	Flow coefficient Kv	Minimum pressure	Max differential pressure (M.O.P.D.)		Coil type	Weight	Notes
					in A.C.(~) [bar]	in D.C.(=) [bar]			
["]	[]	[mm]	[m³/h]	[bar]			[]	[Kg]	[]
1/4	151 G	1,5	0,078	0	22	22	Z-Y	0,330	1
1/4	151 H	2,0	0,150	0	12	12	Z-Y	0,330	1

Note: 1) NP (nominal pressure): 64 bar.

DIMENSIONS



Fittings Ø G	A	B	C	D
["]	[mm]	[mm]	[mm]	[mm]
1/4	40,0	82,5	18	45,5

ORDER CODE

Coil type	[V]				[Hz] / d.c.	
	24 V 50/60 Hz	115V 50/60 Hz	220-230 V 50/60 Hz	240 V 50/60 Hz	12 V d.c.	24 V d.c.
ZB 09	●	●	●	●		
ZH 09	●					
ZB 12					●	●
ZH 12					●	●
YB 09	●	●	●			
YB 12					●	●
ZH 14	●	●	●			
ZH 16					●	●

Coil type	24 V / 60 Hz	110-120 V / 60 Hz	208-240 V / 60 Hz
ZB 09 UL	●	●	●
YB 09 UL	●	●	●

Note: Valve supplied with body (PM) and coil separate.

Connector to be ordered separately.